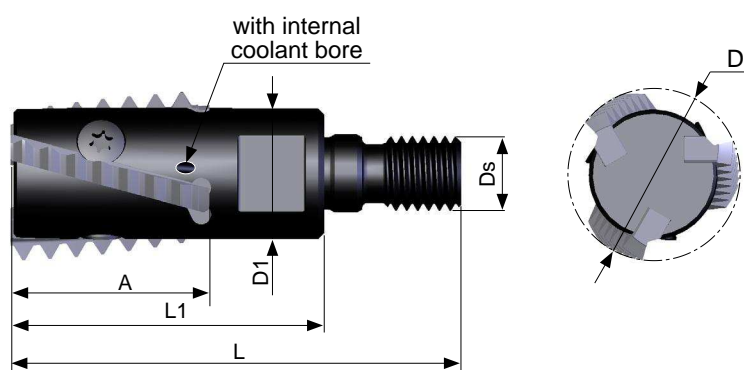
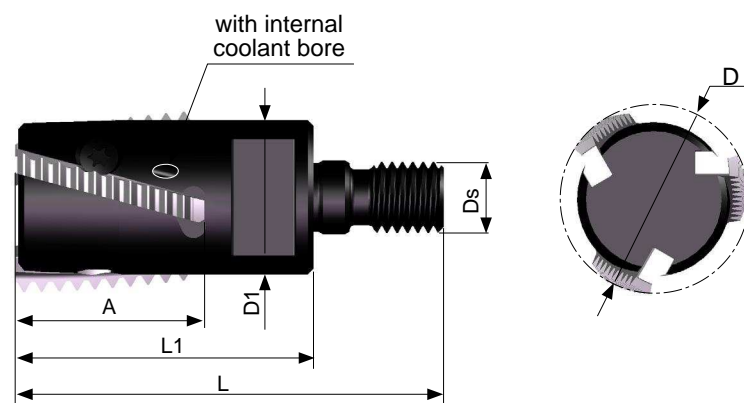


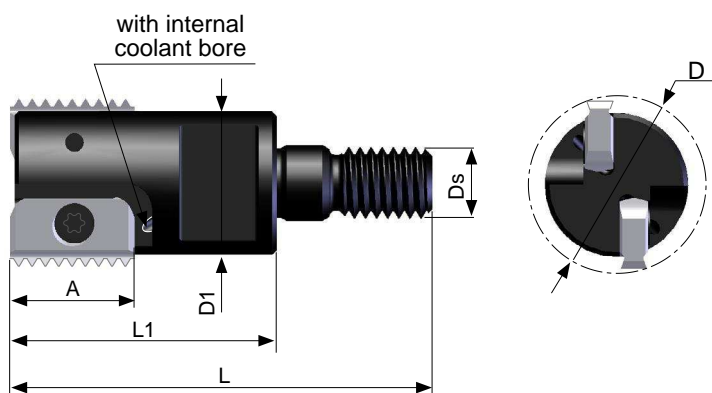
Deep Reach Mill-Thread



Ordering Code	Insert size A	D	D1	Ds	L1	L	No. of Inserts	Screw	Key
SRH28-3 S	32	28	21	M12	50	72	3	S28	K16



Ordering Code	Insert size A	D	D1	Ds	L1	L	No. of Inserts	Screw	Key
SRH32-3 S	32	32	26	M12	50	72	3	S32S	K16



Ordering Code	Insert size A	D	D1	Ds	L1	L	No. of Inserts	Screw	Key
SR0020C14-2 S	14	20	16	M8	30.5	48	2	S14	K14