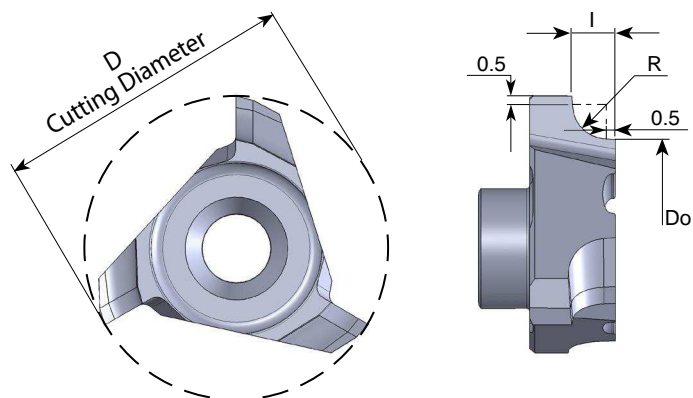
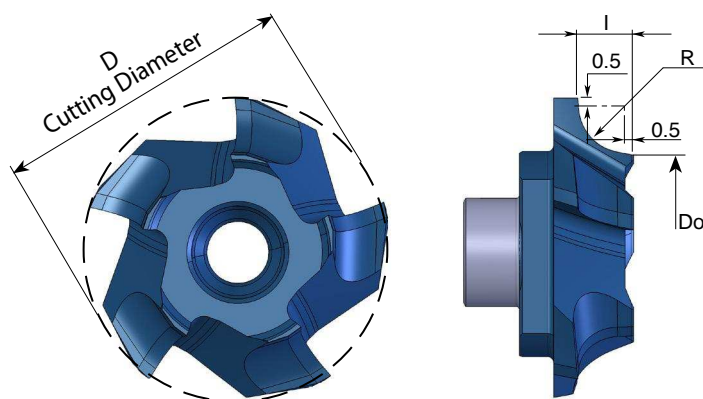


## Corner Rounding



Insert Type	Ordering Code	D	Do	R	I	Holder Code
C10	<b>C10 CR05</b>	10.0	7.9	0.5	1.05	H1, 2, 12, 13
	<b>C10 CR10</b>	10.0	6.9	1.0	1.55	
C18	<b>C18 CR13</b>	17.8	14.2	1.25	1.80	H6, 7, 8, 9, 16
	<b>C18 CR15</b>	17.8	13.7	1.5	2.05	
	<b>C18 CR20</b>	17.8	12.7	2.0	2.55	

## Corner Rounding Multi Flute



Insert Type	Ordering Code	D	Do	R	I	No. of Flutes	Holder Code
S17	<b>S170 E CR10</b>	17.0	13.9	1.0	1.55	5	H3, 4, 5, 14, 15
	<b>S170 E CR13</b>	17.0	13.4	1.25	1.80	5	
	<b>S170 E CR15</b>	17.0	12.9	1.5	2.05	5	

\* For complete toolholder description see pages 193 and 194