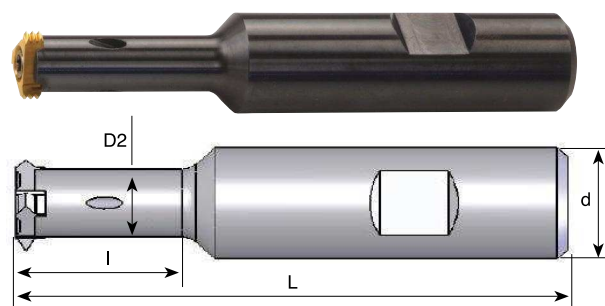


## Steel Toolholders

With internal coolant



Tool No.	Ordering Code	Insert Type	d	D2	l	L	Insert Screw	Torx Key
H1	<b>SRC 1210 E</b>	C10	12	7.3	19	70	S5	K5
H2	<b>SRC 1610 G</b>		16		19	90		
H3	<b>SRC 1212 E</b>	C12, S17	12	9.0	25	70	S10	K10
H4	<b>SRC 1612 G</b>		16		25	90		
H5	<b>SRC 1612 H</b>		16		35	100		
H6	<b>SRC 1618 H</b>	C18, S20	16	13.8	48	100	S16	K16
H7	<b>SRC 2018 H</b>		20		32	100		
H8	<b>SRC 2018 J</b>		20		48	110		
H9	<b>SRC 2018 L</b>		20		74	140		
H10	<b>SRC 2525 J</b>	C25	25	17.5	45	115	S27	K27
H11	<b>SRC 2525 M</b>		25		80	150		
H19	<b>SRC 2535 H</b>	S35	25	22	40	100	S33	K33
H20	<b>SRC 2535 K</b>		25		60	130		