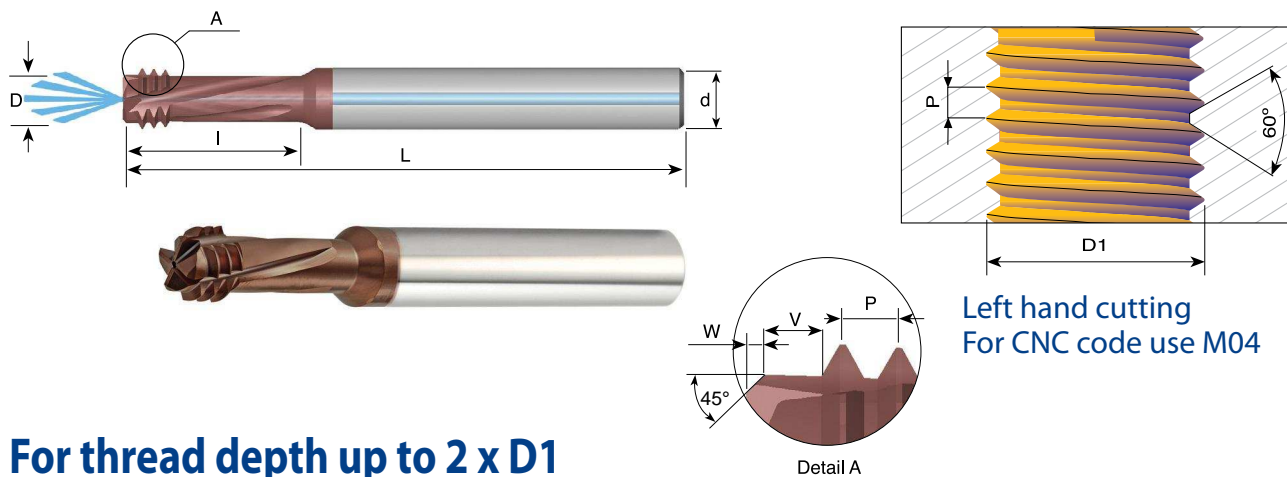


DMT - 3 in 1

ISO with internal coolant bore Tools for Internal Thread

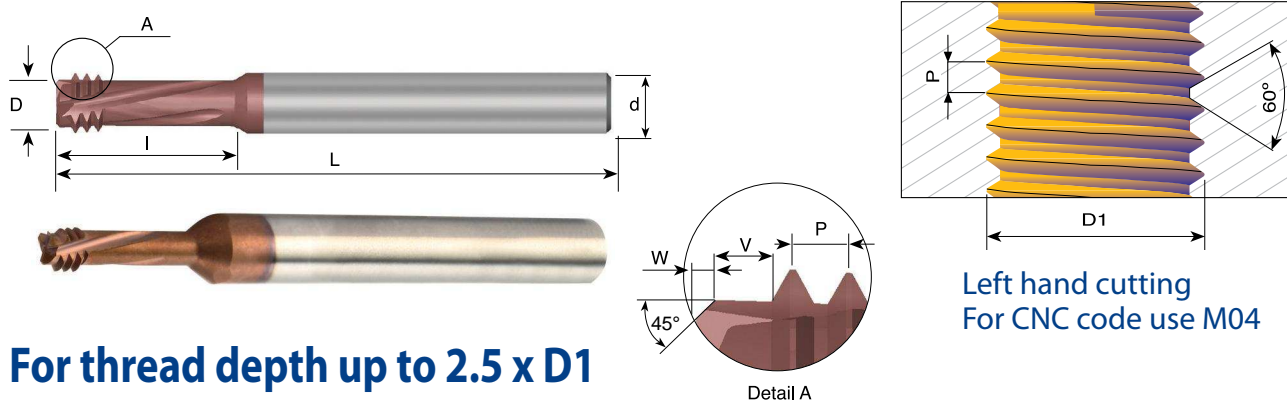


For thread depth up to 2 x D1

Pitch mm	D1	Ordering Code	d	D	No. of Flutes	l	W	V	L
1.0	M6 - M9	DMT 08047C14 1.0 ISO	8	4.70	3	14.0	0.4	1.0	64
1.25	M8 - M12	DMT 08061D18 1.25 ISO	8	6.10	4	18.0	0.5	1.25	64
1.5	M10 - M15	DMT 08078D23 1.5 ISO	8	7.80	4	23.0	0.6	1.5	64
1.75	M12	DMT 1009D26 1.75 ISO	10	9.00	4	26.0	0.6	1.75	73
2.0	M16 - M23	DMT 12118D35 2.0 ISO	12	11.80	4	35.0	0.6	2.0	84

Order example: DMT 08047C14 1.0 ISO MT7

ISO without internal coolant



For thread depth up to 2.5 x D1

Pitch mm	D1	Ordering Code	d	D	No. of Flutes	l	W	V	L
0.7	M4	DMT 06032C11 0.7 ISO-D	6	3.15	3	11.6	0.2	0.7	58
0.8	M5	DMT 0604C14 0.8 ISO-D	6	4.00	3	14.4	0.3	0.8	58

Order example: DMT 06032C11 0.7 ISO-D MT7