

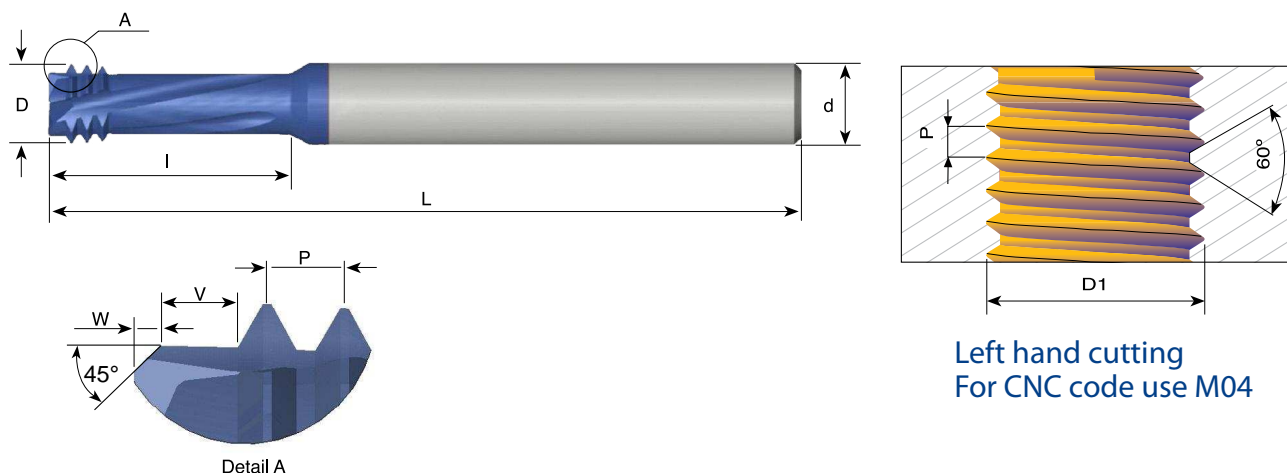
DMT - 3 in 1

DMTH

The new DMTH tools expand the range of the existing DMT line providing the ability to cut steels, hardened materials, stainless steels and super alloys.

ISO

Tools for Internal Thread



For thread depth up to 2 x D1

Pitch mm	D1	Ordering Code	d	D	No. of Flutes	I	W	V	L
0.7	M4	DMTH 06032 C11 0.7 ISO	6	3.1	3	11.6	0.2	0.7	58
0.8	M5	DMTH 0604 C14 0.8 ISO	6	4.0	3	14.4	0.3	0.8	58
1.0	M6 - M9	DMTH 08047 C14 1.0 ISO	8	4.7	3	14.4	0.4	1.0	64
1.25	M8 - M12	DMTH 08061 D19 1.25 ISO	8	6.1	4	19.0	0.5	1.25	64
1.5	M10- M15	DMTH 08078 D23 1.5 ISO	8	7.8	4	23.6	0.6	1.5	64
1.75	M12	DMTH 1009 D28 1.75 ISO	10	9.0	4	28.1	0.6	1.75	73
2.0	M16- M23	DMTH 12118 D36 2.0 ISO	12	11.8	4	36.6	0.6	2.0	84

Order example: DMTH 1009D28 1.75 ISO MT11

UN

Tools for Internal Thread

For thread depth up to 2 x D1

Pitch TPI	UN, UNEF, UNF UNC, UNS	Ordering Code	d	D	No. of Flutes	I	W	V	L
40	4	DMTH 06021 C7 40 UN	6	2.1	3	7.0	0.1	0.6	58
32	6	DMTH 06026 C8 32 UN	6	2.6	3	8.7	0.1	0.8	58
28	1/4-3/8	DMTH 0805 C14 28 UN	8	5.0	3	14.9	0.4	0.9	64
24	5/16-1/2	DMTH 08065 D18 24 UN	8	6.5	4	18.5	0.5	1.05	64
20	1/4-3/8	DMTH 08048 C15 20 UN	8	4.8	3	15.6	0.4	1.25	64
18	5/16-7/16	DMTH 0806 D19 18 UN	8	6.0	4	19.2	0.5	1.4	64
16	3/8-1/2	DMTH 08067 C22 16 UN	8	6.7	3	22.8	0.5	1.6	64
13	1/2	DMTH 10092 C30 13 UN	10	9.2	3	30.0	0.6	2.0	73
11	5/8	DMTH 12114 C37 11 UN	12	11.4	3	37.0	0.6	2.3	84

Order example: DMTH 08048 C15 20UN MT11