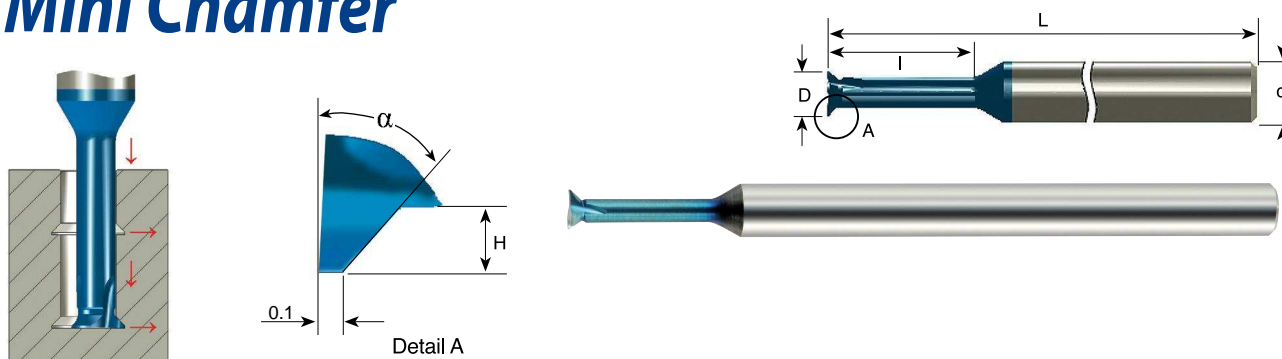


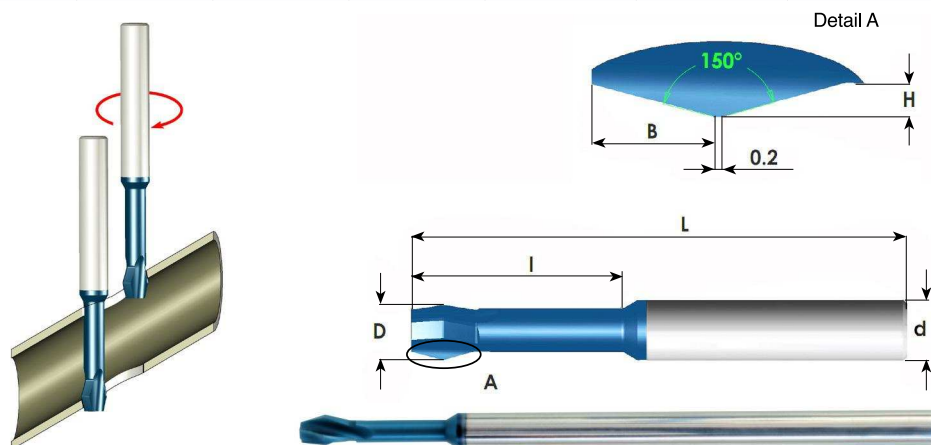
## Mini Chamfer



## Dovetail 45°\*

Ordering Code	d	D	I	H	$\alpha$	No. of Flutes	L
MC03015C4 A45	3	1.5	4.5	0.3	45°	3	39
MC0302C6 A45	3	2.0	6.0	0.4	45°	3	39
MC03025C7 A45	3	2.5	7.5	0.5	45°	3	39
MC0303C12 A45	3	3.0	12.0	0.6	45°	3	39
MC04035C14 A45	4	3.5	14.0	0.7	45°	3	51
MC0404C16 A45	4	4.0	16.0	0.8	45°	3	51
MC05045C18 A45	5	4.5	18.0	1.0	45°	3	51
MC0505C20 A45	5	5.0	20.0	1.1	45°	3	51
MC06055C22 A45	6	5.5	22.0	1.2	45°	3	58
MC0606C24 A45	6	6.0	24.0	1.5	45°	3	58

\* One side cutting



## 150°

Ordering Code	d	D	I	H	B	No. of Flutes	L
MC0303C12 A150	3	3.0	12.0	0.6	2.2	3	39
MC0404C16 A150	4	4.0	16.0	0.8	3.0	3	51
MC0404C16L A150	4	4.0	16.0	0.8	3.0	3	105
MC0505C20 A150	5	5.0	20.0	1.0	3.8	3	51
MC0505C20L A150	5	5.0	20.0	1.0	3.8	3	105
MC0606C24 A150	6	6.0	24.0	1.0	3.8	3	58
MC0606C24L A150	6	6.0	24.0	1.0	3.8	3	105
MC0808C28 A150	8	8.0	28.0	1.0	3.8	3	64
MC0808C28L A150	8	8.0	28.0	1.0	3.8	3	105

Order example: MC 0303 C12 A150 MT8